

Cucumber

Lighting Controls



Product range

As cool as a Cucumber

Why Cucumber Lighting Controls? Simply, our in-house R&D, manufacturing, and dedicated team redefine lighting control with a fresh, green, and straightforward approach. Essential for energy efficiency and user comfort, our creative solutions simplify control, promote sustainability, and elevate user experiences.

With our investment in a new, state-of-the-art 10,000ft² manufacturing facility in Milton Keynes, and our R&D facility in Welwyn Garden City, we are not just creating products; we are building a future of quality and reliability for our customers.

Every product is crafted with precision, backed by our dedicated in-house R&D team who ensure cutting-edge design, functionality, and durability. Our commitment to quality is more than a promise – it is guaranteed for seven years, so you can trust that our products are here to stay.

Our UK-based customer sales and support team is always ready to help, providing personalised service and solutions when you need them. When you choose Cucumber, you are choosing a brand that invests in the UK, stands by its products, and values your trust.

Visit our website www.cucumberlc.co.uk, where you can register for updates on new product launches or contact us to schedule a hands-on demo.



7-year warranty
Market-leading warranty for added peace of mind.



Made in Britain
UK manufacturing using premium components with high specifications.



Independently tested
Products are independently tested by a UK Test House to relevant standards.

Our products

Cucumber app

Page 4



Switching and dimming Ceiling sensors

Page 6



Switching and dimming High Bay sensors

Page 7



Switching and dimming Microwave sensors

Pages 8-9



Switch Interface Units

Pages 10-11



Sensor accessories

Page 12



Cucumber app

Our free, user-friendly app provides easy programming without specialist knowledge or equipment.



Quick setup

Quick setup menu with easy to use predefined selections and favourites to reduce time for on-site programming.



Full commissioning

Full commissioning menu for system mesh operation and end client ownership.



Bluetooth®

Long range, reliable Bluetooth is used for networking and communication with the Cucumber app.



Easy to update

Over the air updates (OTA) to the latest software versions.



Secure user data

Client data is stored in the Cloud using Microsoft Azure servers based in the UK. Access is protected by two factor authentication.



Industry leading security

A unique 128-bit network and app key is established within the Cucumber network. This ensures secure communication between devices.



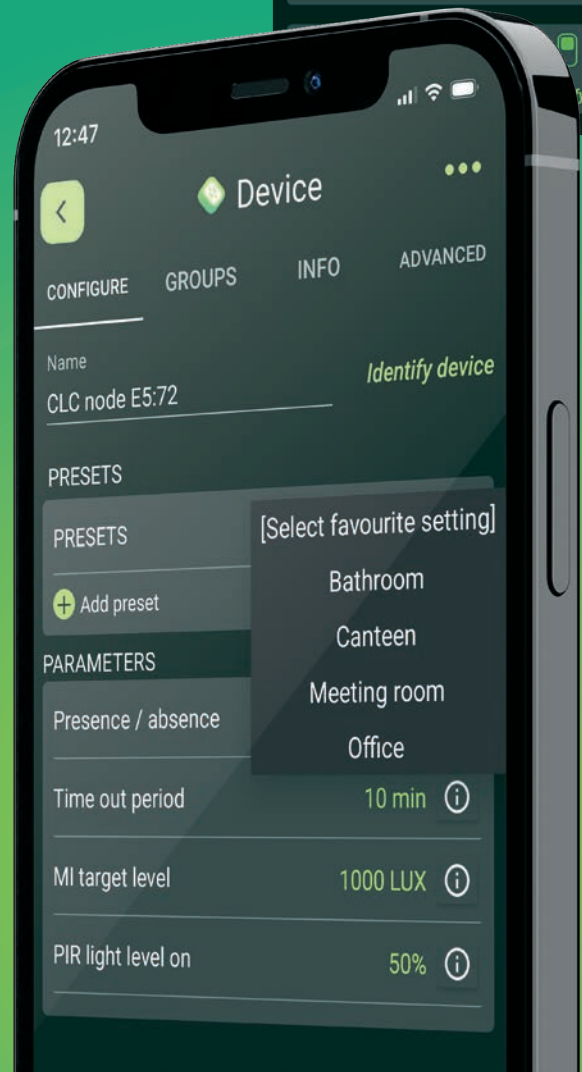
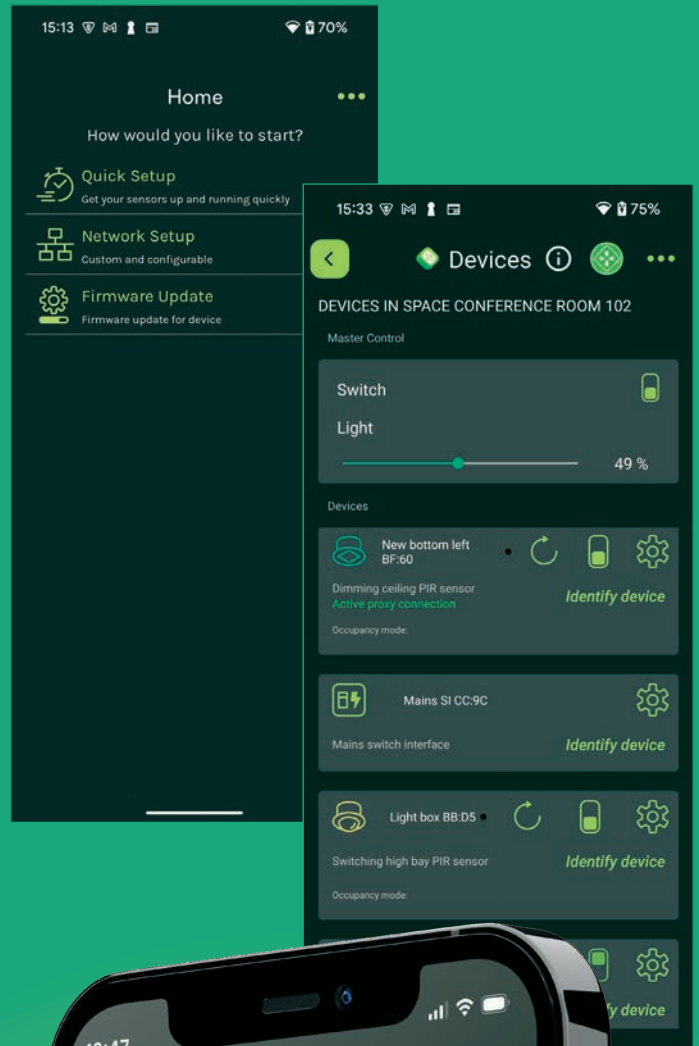
UK developed

Cucumber is a member of the Lighting Industry Association (LIA), is ISO Certified, and has proudly developed its app in the UK.



Free download

The Cucumber app is available for the IOS and Android devices.



Our sensors

Our unique product design and software mean our sensors cover a wide range of applications and are easy to select and specify.

Bluetooth® as standard

- Sensors can be configured as standalone or they can be networked with other Cucumber devices using mesh communication.
- Enables programming through our free to use app.



Switching sensors

- Absence or presence detection based on occupancy and ambient daylight levels.

DALI Dimming sensors

- Absence or presence detection based on occupancy and ambient daylight levels.
- Allows manual and automatic control of luminaire light levels.
- Provides full dimming capability, including maintained illuminance (daylight linking), fade levels, and switch on/off light levels.

Colour coded

- Easy identification of switching (yellow) and dimming (green) sensors.



Large wiring compartment

- Our PIR sensors are simple to install with large wiring compartments and individual push fit terminal connections.
- Dedicated earth terminals provide continuity to the luminaires.
- Universal voltage from 100VAC to 230VAC.



Modular construction

- 2-part modular construction assists a first and second fix installation if required.
- Quick interchange of sensor heads as environments change with limited disruption and waste.



Flexible mounting options

- One product design is suitable for both surface or flush mounting offering flexibility during installation (patented).
- BESA and Euro box fixings provide a universal fit.



Ceiling sensors

Our Ceiling PIR sensors feature an innovative flat square lens, ultra-slim bezel, and IP65 options for optimal detection, aesthetics, and versatility in offices, education, and residential applications.

Sensor functionality

- Light sensor mounted away from the detector lens for improved measurement of ambient light levels.
- Operates in presence or absence detection modes.
- Lux-switching.
- Master override function with run-down timer.
- Adjustable sensitivity options.

Additional DALI dimming functionality

- DALI dimming sensor provides maintained illuminance (daylight linking).
- Fade and hold levels.

SWITCHING

PIRSCR Range

DALI DIMMING

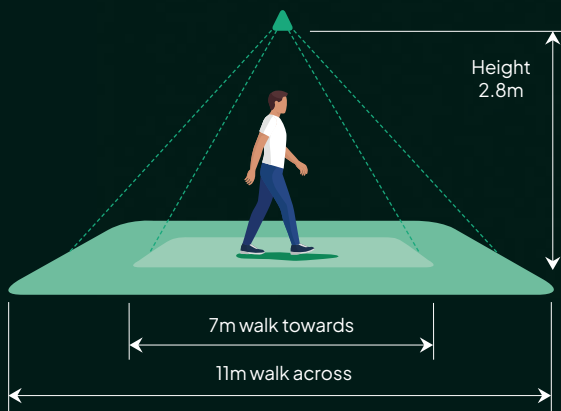
PIRDMCR Range



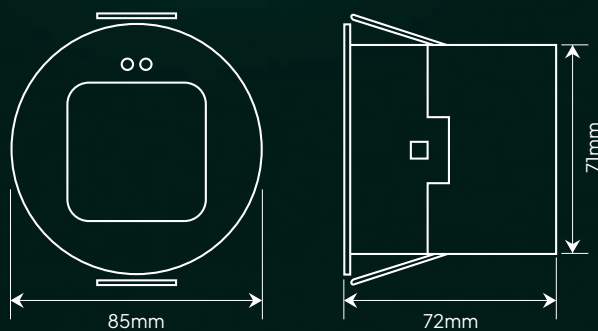
Weatherproof options available

↑ IP 20
↓ IP 65

Detection range



Dimensions



Ø 73mm cut-out for flush mounting

Specifications

Please visit our website for full product specification

Supply Voltage	100VAC to 230VAC	IP Rating (flush mounted)	Standard versions: IP20 IP versions: IP65
Supply Frequency	50/60Hz	Compliance 2014/35/EU Low Voltage Directive 2014/30EU Electromagnetic Compatibility Directive 2014/53/EU Radio Equipment Directive 2011/65/EU Restriction of Hazardous Substances (RoHS) Directive	
Relay Max. Output Current	6 Amps @ 230VAC		
Terminal Capacity	0.5mm ² to 1.5mm ²		
Time Out Period	1 seconds to 240 minutes		
Working Temperature	-10 to +35°C		
No of DALI Drivers*	Maximum 20. Please refer to main datasheet		

Sensors also available in black



* DALI dimming sensor only.

High Bay sensors

Our High Bay PIR sensors utilise a multi-pyro design for exceptional sensitivity and accuracy at various heights. Ideal for industrial units, warehousing, sports halls, and more. IP65 versions also available.

Sensor functionality

- Light sensor mounted away from the detector lens for improved measurement of ambient light levels.
- Operates in presence or absence detection modes.
- Lux-switching.
- Master override function with run-down timer.
- Adjustable sensitivity options.
- Optional directional shields available (see back page for accessories).

Additional DALI dimming functionality

- DALI dimming sensor provides maintained illuminance (daylight linking).
- Fade and hold levels.

SWITCHING

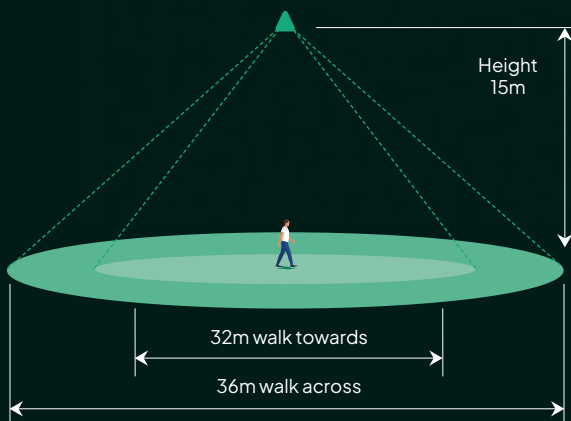
PIRSHBR Range

DALI DIMMING

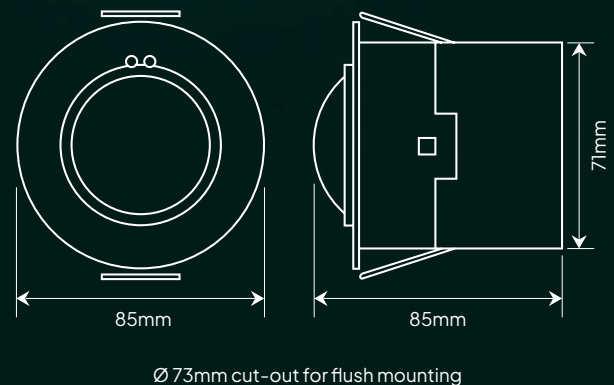
PIRDMHBR Range



Detection range



Dimensions



Ceiling Product Codes

PIRSCRW	PIR Switching Ceiling Sensor Recessed White RAL9010
PIRSCRB	PIR Switching Ceiling Sensor Recessed Black RAL9005
PIRSCRWIP	PIR Switching Ceiling Sensor Recessed White RAL9010 IP65
PIRSCRBIP	PIR Switching Ceiling Sensor Recessed Black RAL9005 IP65
PIRDMCRW	PIR DALI Dimming Ceiling Sensor Recessed White RAL9010
PIRDMCRB	PIR DALI Dimming Ceiling Sensor Recessed Black RAL9005
PIRDMCRWIP	PIR DALI Dimming Ceiling Sensor Recessed White RAL9010 IP65
PIRDMCRBIP	PIR DALI Dimming Ceiling Sensor Recessed Black RAL9005 IP65

High Bay Product Codes

PIRSHBRW	PIR Switching High Bay Sensor Recessed White RAL9010
PIRSHBRB	PIR Switching High Bay Sensor Recessed Black RAL9005
PIRSHBRWIP	PIR Switching High Bay Sensor Recessed White RAL9010 IP65
PIRSHBRBIP	PIR Switching High Bay Sensor Recessed Black RAL9005 IP65
PIRDMHBRW	PIR DALI Dimming High Bay Sensor Recessed White RAL9010
PIRDMHBRB	PIR DALI Dimming High Bay Sensor Recessed Black RAL9005
PIRDMHBRWIP	PIR DALI Dimming High Bay Sensor Recessed White RAL9010 IP65
PIRDMHBRBIP	PIR DALI Dimming High Bay Sensor Recessed Black RAL9005 IP65

See back page for accessories

Microwave sensors

Cucumber Microwave (or radar/HF) sensors work on the reliable 24GHz (K frequency band) and feature a learning capability to reduce false triggers. They are ideal for large open spaces, such as corridors and halls.

Reliable performance

- Choosing the right frequency is essential to avoid interference. C and X bands overlap with Wi-Fi frequencies, leading to potential instability. In contrast, our Microwave sensors use the 24 GHz (K-band frequency) which offers superior reliability and market-leading performance.



Tamperproof

- A fixed head ensures the sensor cannot be vandalised or have its detection pattern detrimentally altered.



Sensor learning

- Groundbreaking learning mode allows the sensor to adapt to its environment, optimising detection, enhancing energy saving and reducing false triggers.



Industry leading detection

- Intelligent signal analysis detects movement effectively. Combined with high-quality components, it offers a detection range of up to 34 by 6 metres in corridor applications.
- This capability reduces the number of sensors needed and makes it easier to install sensors in optimal locations, even when conditions are challenging.

34 metres

BESA mount kit

- Our BESA mount kit (sold separately, see back page) allows rotational adjustment of the sensor head position.



Specifications

Please visit our website for full product specification

Supply Voltage	100VAC to 230VAC	IP Rating (flush mounted)	Standard versions: IP20	Compliance 2014/35/EU Low Voltage Directive 2014/30/EU Electromagnetic Compatibility Directive 2014/53/EU Radio Equipment Directive 2011/65/EU Restriction of Hazardous Substances (RoHS) Directive
Supply Frequency	50/60Hz		IP versions: IP65	
Relay Max. Output Current	6 Amps @ 230VAC	Microwave Frequency	24GHz	
Terminal Capacity	0.5mm ² to 1.5mm ²	Microwave Safety		
Time Out Period	1seconds to 240 minutes	The microwave radiation emitted by this product is extremely low power and complies with International Standard "IEEE C95.1-2019 Standard for Safety Levels with Respect to Human Exposure to Electric, Magnetic and Electromagnetic Fields, 0Hz to 300GHz."		
Working Temperature	-10 to +35°C			
No of DALI Drivers*	Maximum 20. Please refer to main datasheet			

* DALI dimming sensor only.

Sensor functionality

- Light sensor mounted away from the detector lens for improved measurement of ambient light levels.
- Operates in presence or absence detection modes.
- Lux-switching.
- Master override function with run-down timer.
- Adjustable sensitivity options.

Additional DALI dimming functionality

- DALI dimming sensor provides maintained illuminance (daylight linking).
- Fade and hold levels.

SWITCHING

MWSCLR Range

DALI DIMMING

MWDMCLR Range

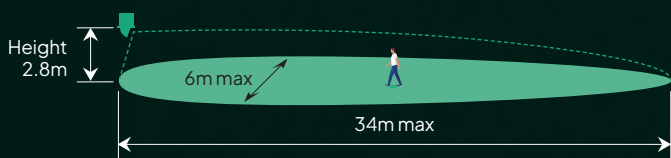


Weatherproof options available

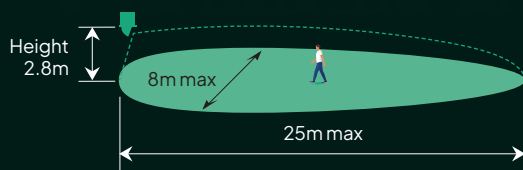
IP 20
 IP 65

Detection range

Corridor application

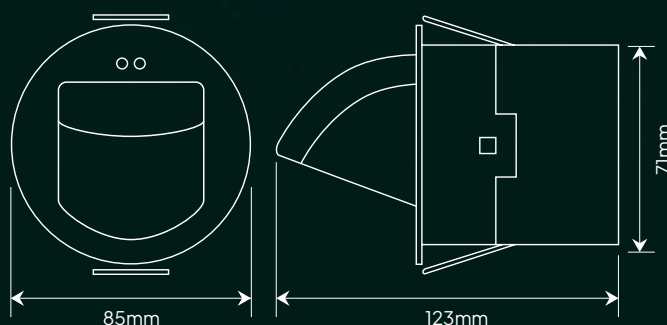


Open area application



Distances shown with sensor set to optimum sensitivity

Dimensions



Ø 73mm cut-out for flush mounting

For more information on our product range, or to download datasheets and installation guides visit cucumberlc.co.uk



Microwave Product Codes

MWSCLRW	Microwave Switching Ceiling Sensor Recessed White RAL9010
MWSCLRB	Microwave Switching Ceiling Sensor Recessed Black RAL9005
MWSCLRWIP	Microwave Switching Ceiling Sensor Recessed White RAL9010 IP65
MWSCLRBIP	Microwave Switching Ceiling Sensor Recessed Black RAL9005 IP65
MWDMCLRW	Microwave DALI Dimming Ceiling Sensor Recessed White RAL9010
MWDMCLRB	Microwave DALI Dimming Ceiling Sensor Recessed Black RAL9005
MWDMCLRWIP	Microwave Sensor DALI Dimming Ceiling Recessed White RAL9010 IP65
MWDMCLRBIP	Microwave Sensor DALI Dimming Ceiling Recessed Black RAL9005 IP65

See back page for accessories

Switch Interface Units

Seamlessly connect switches to our range of sensors.

Mains or Battery

- The battery option is particularly useful for challenging wiring locations such as glass partitions or listed buildings.

Bluetooth® as standard

- Bluetooth wireless communication between devices allow groups of sensors and switches* to work together in a network. This increases flexibility to meet any building requirement.
- Utilising Bluetooth technology the switch(es) can be programmed via our free to use app to different configurations depending on the application, providing a futureproof solution.

Long range

- The Switch Interface Unit can be positioned up to 30m away (line of sight) from the nearest sensor.
- The unit can also help 'relay' Bluetooth messages between other products.

Flexibility

- Customers have the flexibility to connect different switch types depending on the style and design requirements of their installation (Latching switches to be used in conjunction with SW-IU-230V only).

Alarm integration

- Lights can be activated to full output if the fire alarm is triggered using a Volt Free Contact between the fire alarm system and Switch Interface Unit (SW-IU-230V only).

Compact design

- Compact housing ensures the unit can be fitted into a wide number of applications.

Mains powered

SW-IU-230V



Battery powered

SW-IU-BATT
Shown with bracket



* when connected to Switch Interface Unit.

Specifications

Please visit our website for full product specification

	SW-IU-230V	SW-IU-BATT
Supply Voltage	100VAC to 230VAC	3VDC (CR2450 Battery)
Supply Frequency	50/60Hz	-
Input current	400uA (i.e. 400 microamps / 0.4 milliamps)	-
Switch to Sensor Range	30m	30m
Max Switch Cabling Length	50m	15m
Terminal Capacity	0.5mm ² to 1.5mm ²	0.5mm ² to 1.5mm ²
Working Temperature	-10 to +35°C	-10 to +35°C
Circuit Protection	≤10A MCB Type C	-
Compliance	2014/35/EU Low Voltage Directive, 2014/30/EU Electromagnetic Compatibility Directive, 2014/53/EU Radio Equipment Directive 2011/65/EU Restriction of Hazardous Substances (RoHS) Directive	

Additional specifications

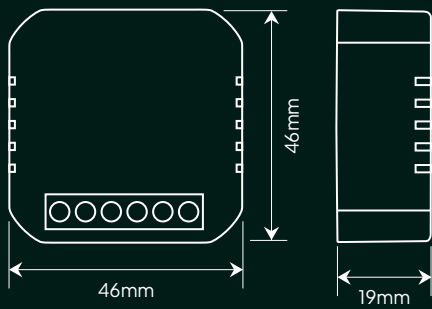
Mains version

- 5 Inputs for momentary push to make switches.
- Non isolated Mains Power Supply Unit, 230V.

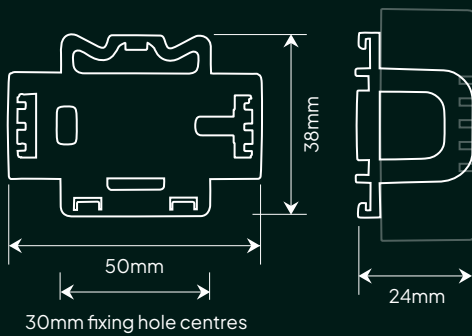
Battery version

- 5 Inputs for momentary push to make switches (SELV).
- 1 Coin cell CR2450.
- Battery life is limited by its lifespan (typically 10 years).
- Battery life shown in the app.

Dimensions



Bracket can be clipped on to 35mm DIN rail

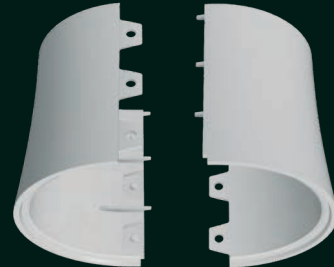


Sensor accessories



Surface mount sleeves

Improve the aesthetics of the sensors when surface mounted.



Product Codes

SMSLW	Surface Mount Sleeves - White
SMSLB	Surface Mount Sleeves - Black

High Bay directional shield

Our High Bay shields allow you to control the detection pattern in areas such as aisle and racking applications (patented).



Product Codes

HBSW	Directional Shield - White
HBSB	Directional Shield - Black

Microwave BESA surface mount kit

Provides rotational adjustment for the Microwave sensor head position.



Product Codes

SMKW	Surface Mount Kit - White
SMKB	Surface Mount Kit - Black



Scan here for more details on our website



Blackhill Drive, Wolverton Mill,
Wolverton, Milton Keynes, MK12 5TS

03330 347799

enquiries@cucumberlc.co.uk
www.cucumberlc.co.uk