

Datasheet

Switching Control Node

MAINS POWERED



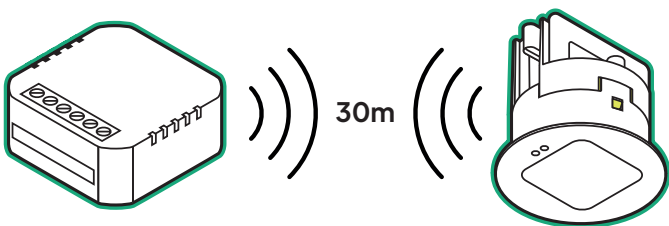
CN-SW-230V

Innovative lighting controls for industry professionals, by industry professionals.

The switching output device can be wirelessly connected to a sensor or switch input unit using our free Cucumber Lighting Controls app on either Android or iOS devices. Networking the devices is quick and easy using the app to set groups of detectors, switch interface units and output devices together, to provide tailor-made solutions.

- Saves on the wiring between devices, reducing installation time and associated costs
- Simple app options reducing time on-site for programming
- Volt free switching contacts providing multiple control options for switching loads
- Compact housing for a wide range of applications
- Suitable for new, refurbishment and listed building projects

Range between devices



Up to 30m wireless network range between devices

Specifications

Supply Voltage	100VAC to 230VAC
Supply Frequency	50/60Hz
Relay Max. Output Current	2 Amps @ 230VAC
Parasitic Power Consumption	550mW
Max Cabling Length	50m
Circuit Protection	≤10A MCB Type C
Terminal Capacity	0.5mm ² to 1.5mm ²
Working Temperature	-10 to +50°C
Unit Weight	0.03kg
Material (Casing)	ABS Dev962 UL 94 VO

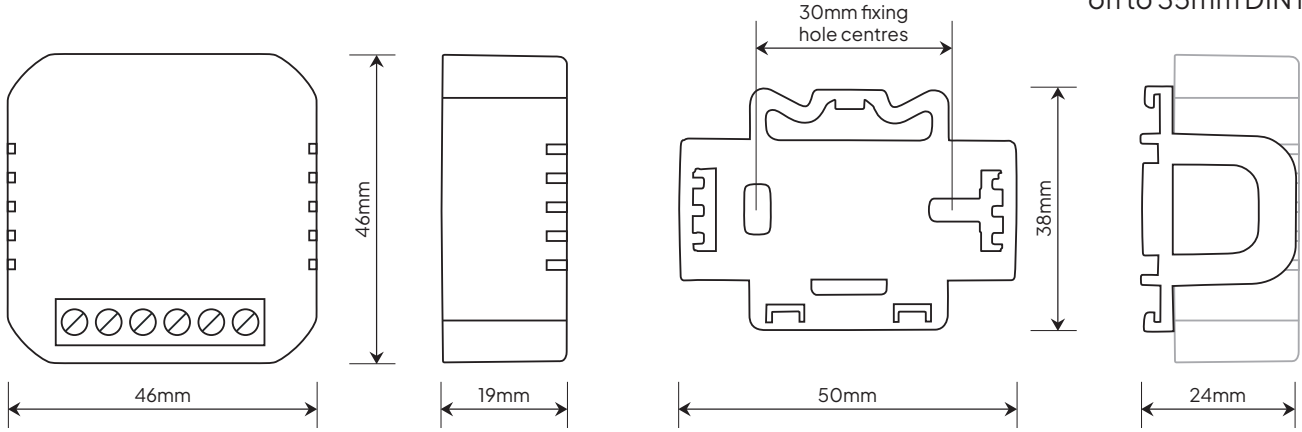
Compliance 2014/35/EU Low Voltage Directive
2014/30/EU Electromagnetic Compatibility Directive
2014/53/EU Radio Equipment Directive
2011/65/EU Restriction of Hazardous Substances (RoHS) Directive

BLE (Bluetooth) Transceiver

Protocol	Bluetooth
Operation frequency	2.4 GHz
Transmission Power	10 dBm
Control Node to Sensor Range	30m

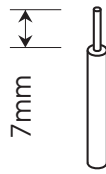
Dimensions

The bracket can be clipped on to 35mm DIN rail.



Wiring

Terminate cables into connections as per wiring diagrams below.



Typical stripping length for terminal connections.

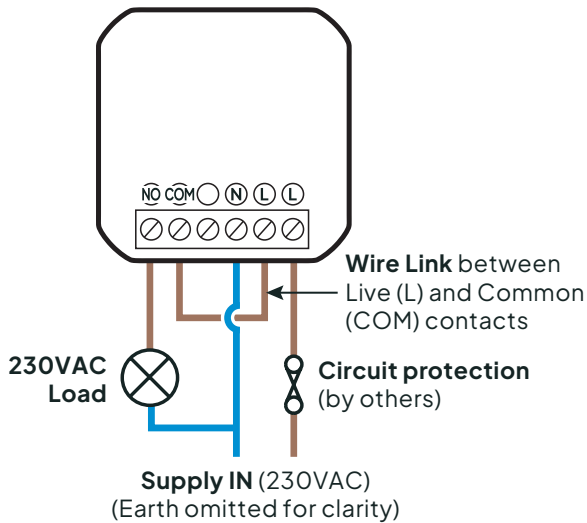


Fig.1 Switching 230VAC load using normally open (NO) contact (contacts will close during operation)

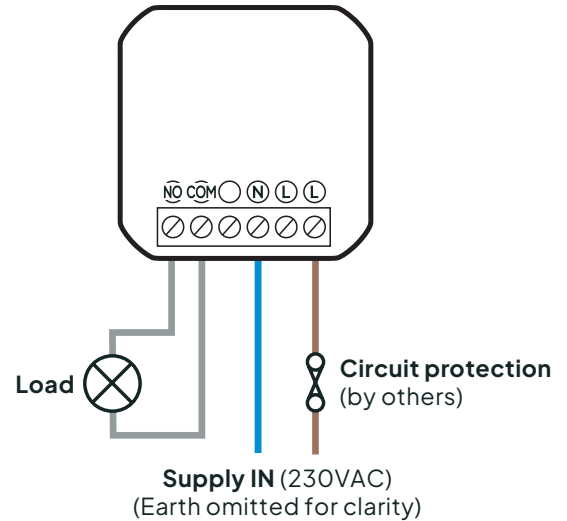


Fig.2 Switching using volt free contacts using normally open (NO) contact (contacts will close during operation)



WARNING: This device should be installed by a qualified electrician in accordance with the latest edition of the UK Wiring regulations.

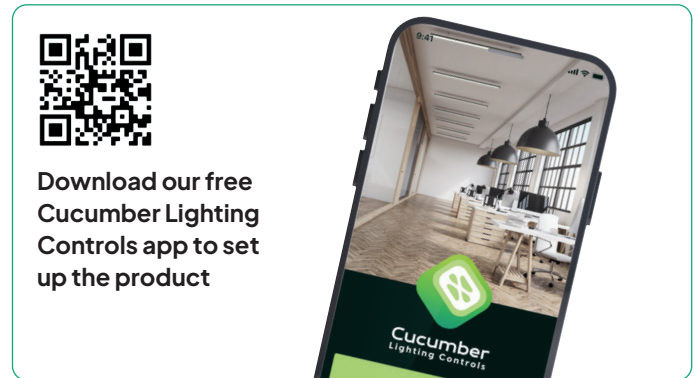
Installation precautions:

- This device has been designed to be installed either in a (non-metallic) enclosure, or inside a luminaire. If luminaire is metal cased, please test thoroughly before proceeding with project, to ensure the BLE communications can be maintained between devices. If you need assistance / advice with testing, please contact us for further details.
- BLE networking ('meshing') between devices: Although BLE range between devices can be up to 30m in direct line of sight, this distance can be affected by other external factors such as building fabric / materials and 3rd party technology. Therefore we would normally recommend BLE devices to be mounted a maximum of 10m to 20m apart (or closer if possible). If further distance between devices is required, please contact us.
- If possible, please check on quality of mesh network between devices before proceeding with project.
- Please contact us for further design considerations if you are planning to mesh more than 50 BLE sensors and/or devices into the same network.
- If you have any queries with regards to above points please contact us for further details.

Functionality and programming

The Control Node can be programmed using the Cucumber Lighting Controls app via Bluetooth on your smart device. Please use the QR code below to download our app on either iOS or Android to set up the product. Full functionality of the product can be programmed using the 'Network setup' menu.

Further information for using the 'Network setup' can be found on our website.



Product Code	Description
CN-SW-230V	Switching Control Node - Mains Powered

This datasheet and/or contents is subject to change without notice. Please always refer to the current release on our website www.cucumberlc.co.uk/resources.

For our Standard Terms & Conditions and Guarantee Policies please refer to our website at www.cucumberlc.co.uk.



Blackhill Dr, Wolverton Mill,
Wolverton, Milton Keynes, MK12 5TS

03330 347799

enquiries@cucumberlc.co.uk

www.cucumberlc.co.uk

